

MOUNTING PROCEDURE

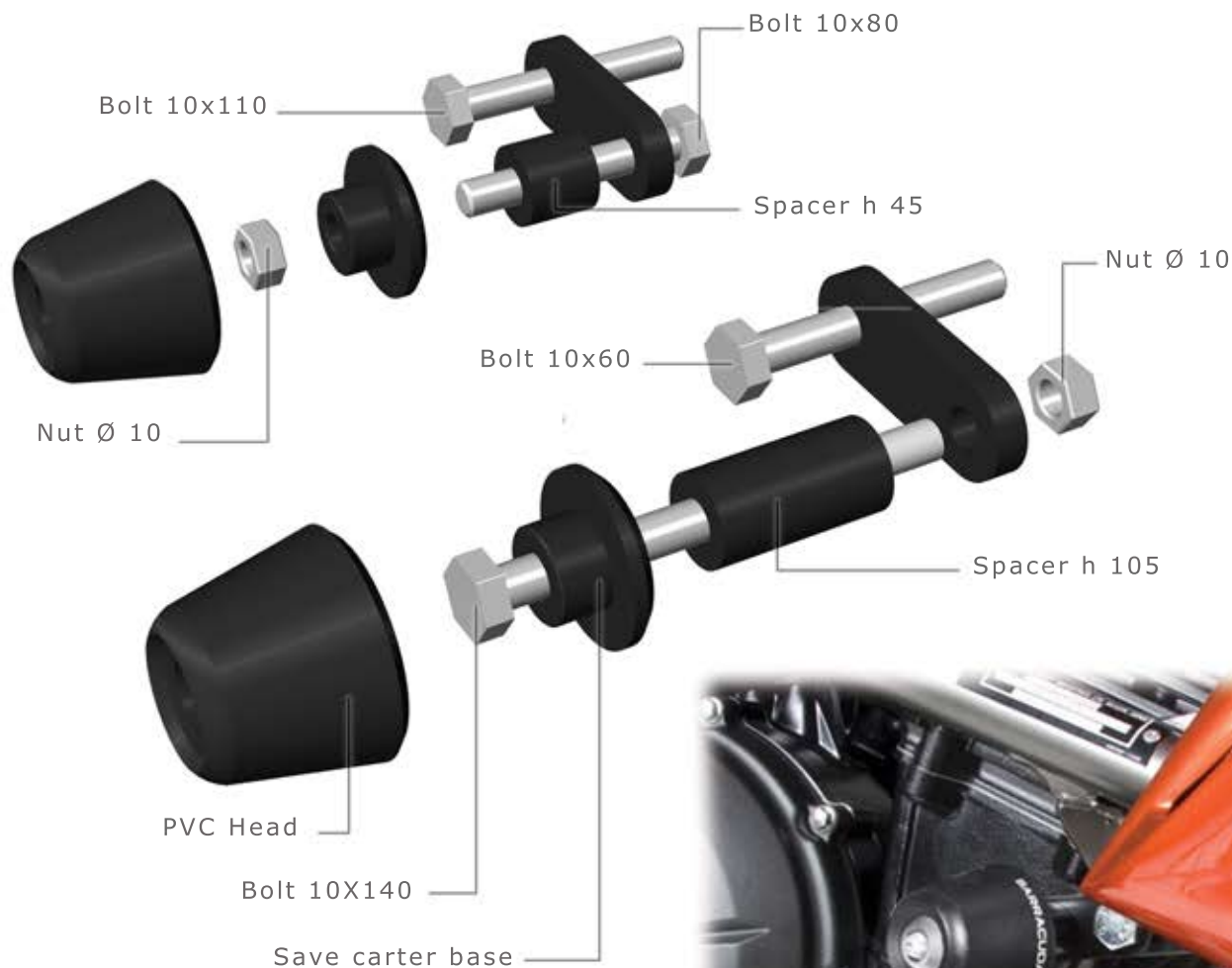
KIT SAVE CARTER
KAWASAKI ER-6N '05 - '11

KE6101

KIT

X2. PVC HEAD
X2. SAVE CARTER BASE
X1. SPACER 45 MM
X1. SPACER 105 MM
X2. BRACKET
X1. BOLT 10X110
X1. BOLT 10X60
X1. BOLT 10X80
X1. BOLT 10X140
X2. NUT DIAMETER 10

WWW.BARRACUDAMOTO.COM



ATTACK POINT ON THE CHASSIS



SEARCH AND FIND THE FIXING POINT ON THE MOTORBIKE BEFORE START TO MOUNTAIN, USE THE SPECIFIC THICKNESS AND BOLTS LIKE DESCRIBED IN THE PICTURE (SO YOU CAN GET THE RIGHT PROMINENCE FROM THE MOTORBIKE).
FIX THE PVC HEAD AFTER FIXED AND TIGHTENED ALL THE KIT ONLY